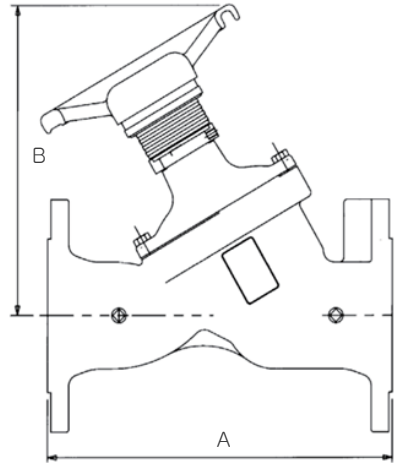


## 005 Ductile Iron Balancing Valves

Normal Type(일반형) DN65~DN300-Flanged Type  
 Variable Orifice Double Regulating Valve (VODRV)  
 DM931 PN16



형식

형식	DM931 / DA931
적용 유체	물
적용 압력	16kgf/cm <sup>2</sup>
내압 시험	24kgf/cm <sup>2</sup>
적용 온도	-10℃~120℃
접속 방법	BS EN 1092-2 PN16

재질

Part	Material
Body	Ductile Iron
Bonnet	Ductile Iron
Bonnet Gasket	Non-asbestos
Disc (All sizes)	EPDM Coated Cast Iron
Disc Bush	Bronze
Stem	410 SS
Gland (65 to 150mm)	Brass
Gland (200 to 300mm)	Cast Iron
Gland Nut	Brass
Packing	Non-asbestos
Seat Ring	Bronze

Size & 중량

DN	Face-to-face A mm	Centre-to-top B mm	Weight Kg
65	290	262	15.8
80	310	267	19.5
100	350	300	28.0
125	400	325	37.5
150	480	340	50.5
200	600	525	123.0
250	730	575	192.0
300	850	645	251.0