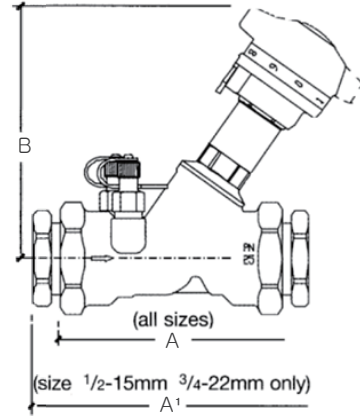
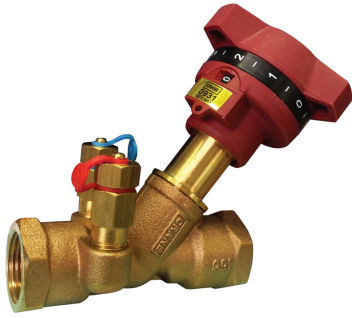


004 Bronze Balancing Valves (WRAS 인증)

Orifice Type(오리피스 내장형) DN15~DN50-Threaded Type

Fixed Orifice Double Regulating Valve (FODRV)

D931 / D933 / D934 PN25



형식

형식	D931 / D933 / D934
적용 유체	물 (음용수, 냉.온수, 해수, 냉매용)
적용 압력	Max. 25kgf/cm ²
내압 시험	Max. 37kgf/cm ²
적용 온도	-10℃ ~120℃
접속 방법	25mm ~ 50mm BS21, 15mm ~ 20mm BS2779

재질

Part	Material	Specification	Part	Material	Specification
Body	Bronze	BS EN 1982 CC491K	O-Ring Seal	EPDM Rubber	
Bonnet	DZR Copper Alloy	BS EN 12165 CW602N	Orifice Insert	DZR Copper Alloy	BS EN 12164 CW602N
Stem	DZR Copper Alloy	BS EN 12164 CW602N	P84 Test Valve	DZR Copper Alloy	BS EN 12164 CW602N
Disc	DZR Copper Alloy	BS EN 12164/5 CW602N	Handwheel	Plastic	

FIG. No	Nom. Size	Dimensions (mm)			Flow (Kv)	Full Open		Size & 중량 Weight (Kg)
		A	A'	B		Head loss (K)	KVs	
D931	½" DN15	87	105	105	1.87	30.27	2.2	0.61
	¾" DN20	96	118	106	3.14	34.55	4.7	0.65
	1" DN25	100	-	127	5.59	27.85	8.6	0.95
	1¼" DN32	114	-	128	10.80	22.60	16.6	1.13
	1½" DN40	125	-	143	18.10	14.76	24.5	1.52
	2" DN50	146	-	144	29.10	14.62	46.1	1.98
D933	½" DN15	87	105	105	1.06	94.20	1.1	0.61
D934	½" DN15	87	105	105	0.57	325.80	0.58	0.61