



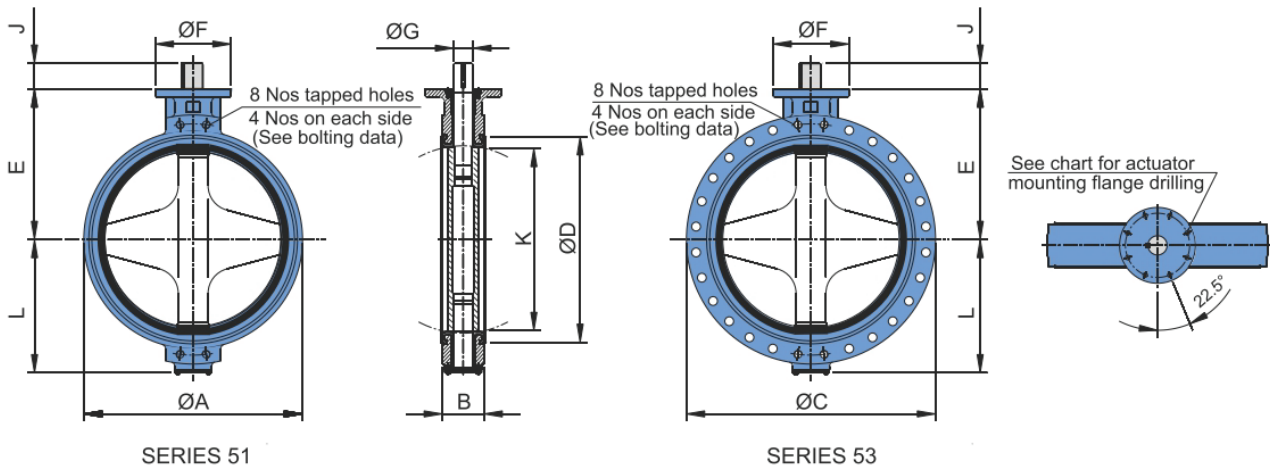
Series 51/53 - 대구경 버터플라이 밸브 (Centric Large Bore RSBFV)



DelVal® S51/53

형식	Series 51 – Wafer / Series 53 – Flanged End
사이즈	DN 650mm ~ 1000 mm
압력 범위	• 650mm ~ 1000mm – Class 125, PN 10bar
바디 (Body)	• Cast Iron ASTM A126 Class B/IS 210 FG 260 • Ductile Iron ASTM A395 60-40-18 • Carbon steel ASTM A216 WCB
디스크 (Disc)	• DI ASTM A536 GRADE 65-45-12 + Nylon 12 coated • DI ASTM A536 GRADE 65-45-12 + Aroxy coated • Stainless Steel ASTM A351 Grade CF8M
스텝 (Stem)	• Stainless Steel ASTM A479 Type 410 • Stainless Steel ASTM A276 Type 316
시트 (Seat)	• EPDM / White EPDM (-29°C ~ 150°C) • Buna-N (-18°C ~ 100°C) • Viton® (FKM) (-18°C ~ 200°C) • Silicone (-50°C ~ 200°C)
누수 등급	Class VI
설계 기준	API 609, BS EN 593
검사 기준	API 598, BS EN 12266-1

Engineering



DIMENSIONS (mm)

Valve Size		ØA	ØB	*B	ØD	E	L	ØF	Top Flange Drilling			ØG	J	Keysize	K	Bolting Data		Weights In Kg.	
Inches	DN								BC	No. of holes	Hole Dia.					BC	Threads UNC-2B	Wafer (Series 51)	Flanged End (Series 53)
26	650	745	870	165	707	555	475	300	254	8	18	63.5	102	15.88 x 15.88	598	806.45	1 1/4-7	264	356
28	700	795	927	165	756	580	492	300	254	8	18	63.5	102	15.88 x 15.88	651	863.60	1 1/4-7	282	396
30	750	860	985	165	813	595	528	300	254	8	18	76.2	102	19.05 x 19.05	717	914.40	1 1/4-7	332	423
32	800	900	1060	190	859	670	565	300	254	8	18	76.2	102	19.05 x 19.05	756	977.90	1 1/2-6	386	477
36	900	1025	1170	203	972	705	640	350	298	8	21	88.9	134	22.23 x 15.88	870	1085.85	1 1/2-6	486	689
40	1000	1120	1290	216	1056	782	675	350	298	8	21	101.6	134	25.4 x 19.05	952	1200.15	1 1/2-6	790	990

* Face to Face dimension "B", generally conforming to API 609 Category A / BS EN 558-1 Series 20, / ISO 5752 Series 20