



Series 55 – 대구경 이중 편심 버터플라이 밸브 (Double Eccentric Large Size Butterfly Valves)

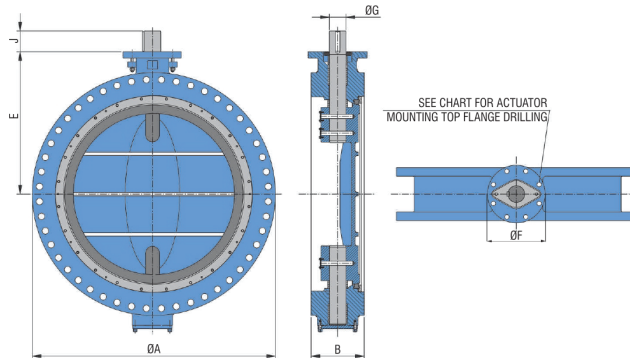


DelVal® S55

형식	Series 55 – Double Flanged Body
사이즈	DN 650mm ~ 2000 mm
압력 범위	<ul style="list-style-type: none"> 650mm ~ 1200mm – ASME Class 150, DIN PN16bar 650mm ~ 2000mm – DIN PN6bar, PN10bar
바디 (Body)	<ul style="list-style-type: none"> Cast Iron ASTM A126 Gr-B. / IS 210 FG – 260 Ductile Iron ASTM A536 65-45-12, ASTM A216 WCB Carbon Steel Fabricated
디스크 (Disc)	<ul style="list-style-type: none"> Stainless Steel ASTM A351 CF8 / CF8M Ductile Iron ASTM A536 65-45-12 Nylon Coated Carbon Steel Fabricated
스템 (Stem)	<ul style="list-style-type: none"> Stainless Steel ASTM A479 SS 410 Stainless Steel ASTM A564 17-4 PH Type 630
시트 (Seat)	<ul style="list-style-type: none"> EPDM (-29°C ~ 150°C) Buna-N (-18°C ~ 100°C) Viton (-18°C ~ 200°C) Silicone (-50°C ~ 200°C)
누수 등급	Class VI
설계 기준	API 609, BS EN 593
검사 기준	API 598, BS EN 12266-1

* 옵션 : LCB, Duplex SS, Super Duplex 가능

Engineering



DIMENSIONS (mm)

Valve Size	26"	28"	30"	32"	36"	40"	44"	48"	52"	56"	60"	72"	80"	
	650	700	750	800	900	1000	1100	1200	1300	1400	1500	1800	2000	
ØA	870	927	985	1060	1170	1290	1404	1512	1626	1750	1855	2115	2325	
* B	305	305	305	305	305	305	381	381	381	381	381	457	457	
E	560	585	640	670	705	810	845	915	975	1025	1090	1275	1350	
STEM CONNECTION	PNG	ØG	63.5	63.5	63.5	63.5	76.2	76.2	88.9	88.9	101.6	120	140	140
		J	102	102	102	102	102	102	102	102	134	150	150	180
		Key	15.88x15.88	15.88x15.88	15.88x15.88	15.88x15.88	19.05x19.05	19.05x19.05	22.23x15.88	22.23x15.88	25.4x19.05	32x18	32x18	36x24
	PN10	ØG	63.5	63.5	76.2	76.2	88.9	101.6	120	120	140	140	175	175
		J	102	102	102	102	102	134	150	150	180	180	200	200
		Key	15.88x15.88	15.88x15.88	19.05x19.05	19.05x19.05	22.23x15.88	25.4x19.05	32x18	32x18	32x18	36x24	36x24	45x25
	PN16 & #150	ØG	88.9	88.9	88.9	101.6	101.6	120	120	120	-	-	-	-
		J	102	102	102	134	134	150	150	150	-	-	-	-
		Key	22.23x15.88	22.23x15.88	22.23x15.88	25.4x19.05	25.4x19.05	32 x 18	32 x 18	32 x 18	-	-	-	-
	TOP FLANGE DRILLING	ØF	300	300	350	350	350	415	415	415	475	475	560	560
		BC	254	254	298	298	298	356	356	356	406	406	483	483
		No. of holes	8	8	8	8	8	8	8	8	8	8	12	12
HOLE Ø		18	18	21	21	21	33	33	33	39	39	39	39	
Approx Weight Kg.	575	660	750	850	1080	1340	1710	2038	2400	3125	3425	4465	5765	